

ALL RIGHTS RESERVED:

THIS DRAWING IS THE PROPERTY OF NORTH AMERICAN BULLET PROOF AND SHALL NOT BE REPRODUCED IN WHOLE OR PART. IT SHALL NOT BE USED FOR CONSTRUCTION OF OTHER THAN THE SPECIFIED PROJECT WITHOUT WRITTEN PERMISSION OF NORTH AMERICAN BULLET PROOF.

COMMENTS:

Shotgard® Product	Test Criteria / Performance Level	Ballistic Data	Nominal Thickness	Lbs./ Sq. Ft.
BB-A	N.I.J. 0108.01 / Level I	.38 Spl., 158 Gr., 850 Ft. Sec., Lead	1/8"	1.2
BB-1	U.L. 752 / LEVEL 1, (U.L. LISTED)	9MM, 124 Gr., 1175 Ft. Sec., FMJ	1/4"	2.4
	N.I.J. 0108.01 / Level IIA	9MM, 124 Gr., 1090 Ft. Sec., FMJ		
BB-2/6	U.L. 752 / LEVEL 2, (U.L. LISTED)	.357 Mag., 158 Gr., 1250 Ft. Sec., LSP	5/16"	3.0
	U.L. 752 / LEVEL 6, (U.L. LISTED)	9MM, 124 Gr., 1400 Ft. Sec., FMJ		
	N.I.J. 0108.01 / Level II	.357 Mag., 158 Gr., 1395 Ft. Sec., JSP		
BB-3	U.L. 752 / LEVEL 3, (U.L. LISTED)	.44 Mag., 240 Gr., 1350 Ft. Sec., SWC	7/16"	4.0
	N.I.J. 0108.01 / Level IIIA	.44 Mag., 240 Gr. 1400 Ft. Sec., SWC		
BB-4/5	U.L. 752 / LEVEL 4, (U.L. LISTED)	.30 Cal., 180 Gr., 2540 Ft. Sec., JSP	1-1/4"	12.5
	U.L. 752 / LEVEL 5, (U.L. LISTED)	7.62MM, 150 Gr., 2750 Ft. Sec. FMJ		
	N.I.J. 0108.01 / Level III	7.62MM, 150 Gr., 2750 Ft. Sec., FMJ		
BB-7	U.L. 752 / LEVEL 7, (U.L. LISTED)	5.56MM, 55 Gr., 3080 Ft. Sec., FMJ	1-3/16"	12.0
BB-8	U.L. 752 / LEVEL 8, (U.L. LISTED)	7.62MM, 150 Gr., 2750 Ft. Sec., FMJ, (5 SHOT)	1-3/8"	13.6

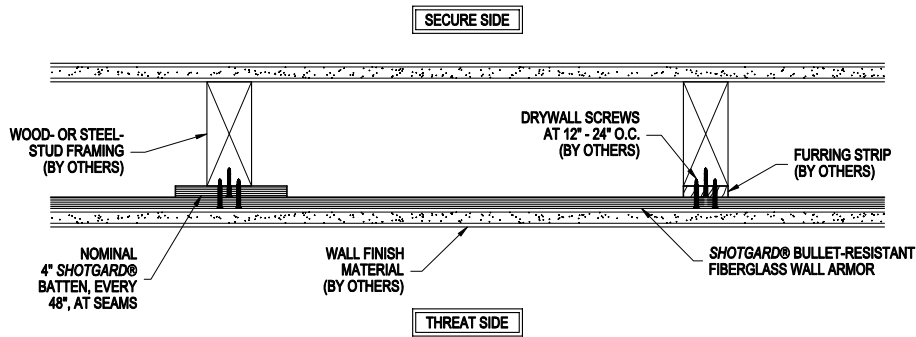
**SHOTGARD® FIBERGLASS BALLISTIC CHART**

ALL RIGHTS RESERVED:

THIS DRAWING IS THE PROPERTY OF NORTH AMERICAN BULLET PROOF AND SHALL NOT BE REPRODUCED IN WHOLE OR PART. IT SHALL NOT BE USED FOR CONSTRUCTION OF OTHER THAN THE SPECIFIED PROJECT WITHOUT WRITTEN PERMISSION OF NORTH AMERICAN BULLET PROOF.

COMMENTS:

SHOTGARD



**B** HORIZONTAL WALL SECTION

SCALE: 3" = 1'-0"

**GENERAL**

SHOTGARD® IS A MULTIPLE-PLY BALLISTIC FIBERGLASS LAMINATE PRODUCED FROM BALLISTIC FIBERGLASS AND IMPREGNATED WITH A THERMOSET POLYESTER-RESIN BINDER. THE MULTIPLE-PLY CONFIGURATION PROVIDES A DELAMINATION EFFECT WHEN BALLISTICALLY ATTACKED. BULLETS ARE THEREFORE IMBEDDED WITHIN ITS PLYS RATHER THAN BEING RICOCHETED AS WITH STEEL OR ALUMINUM ARMOR.

SHOTGARD® IS A FRACTION OF THE WEIGHT OF STEEL ARMOR FOR IDENTICAL PERFORMANCE LEVELS. IT CAN BE CUT, DRILLED, AND WORKED USING CONVENTIONAL CARPENTRY TOOLS. NO REINFORCING OF TRADITIONAL STUD WALL CONSTRUCTION IS NEEDED. ATTACHMENT TO NEW WALLS IS EASY, AS IS BONDED APPLICATION TO EXISTING WALLS OR UNDER COUNTER RETROFFITS.

SHOTGARD® IS COMPATIBLE WITH CONTACT OR CONSTRUCTION ADHESIVES. THIS MAKES SHOTGARD® IDEAL TO INCORPORATE WITHIN WOOD DOOR AND MILLWORK PANELS.

**CUTTING AND DRILLING**

SHOTGARD® CAN BE CUT OR DRILLED USING A CONVENTIONAL CIRCULAR SAW, SABRE SAW, AND/OR DRILL MOTOR.

**CUTTING IS TO BE DONE USING AN ABRASIVE CARBIDE-GRIT EDGE BLADE. A DIAMOND BLADE INTENDED FOR FIBERGLASS IS ALSO ACCEPTABLE. SHOTGARD® CAN BE CUT DRY. HOWEVER, DRY CUTTING DEVELOPS SIGNIFICANT DUST. USING A CIRCULAR SAW CONNECTED TO A GFCI EXTENTION CORD IS RECOMMENDED. THE SAW OPERATOR CUTS WHILE AN ASSISTANT SPRAYS WATER ON THE SAW BLADE WITH SPRAY BOTTLE TO DEVELOP A STREAM OF WATER. THIS TECHNIQUE MINIMIZES THE DUST AND DEVELOPS A NON-HAZARDOUS SLURRY.**

DRILLING CAN BE ACCOMPLISHED USING A HIGH-SPEED TWIST DRILL BIT. BITS ARE AVAILABLE UPON REQUEST.

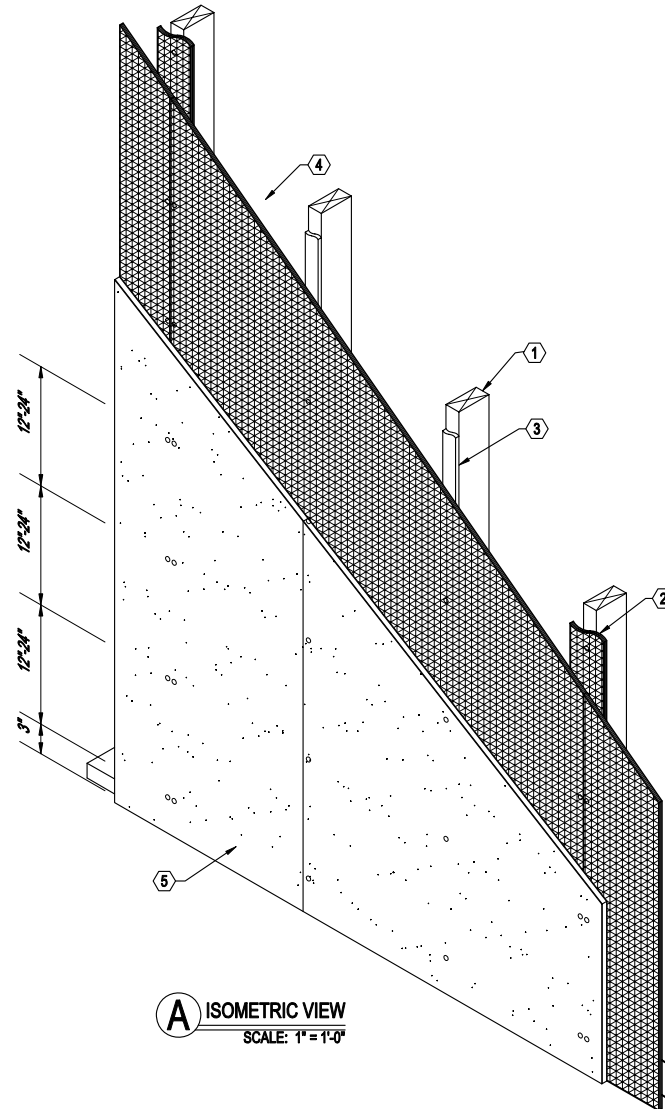
**INSTALLATION**

ALWAYS DRILL PILOT HOLES IN SHOTGARD® TO ACCOMMODATE HANGING THE MATERIAL ON STUD WALLS. NEVER SCREW DIRECTLY INTO THE FIBERGLASS AS THIS WILL CAUSE DELAMINATION AROUND THE SCREW AND VOID THE WARRANTY. THE USE OF DRYWALL SCREWS AT 12-24" O.C. IS DESIRABLE.

TO INSURE COMPLETE PROTECTION AT SEAMS, WE RECOMMEND INCORPORATING 4" (NOMINAL) BATTEN STRIPS OF SHOTGARD®. THESE BATTEN STRIPS ARE FIRST INSTALLED ON STUDS, THEN FULL-SIZE SHEETS OF SHOTGARD® ARE INSTALLED OVER THE BATTENS TO CREATE A SMOOTH FINISH. DRYWALL OR OTHER WALL FINISHES CAN THEN BE BONDED OVER THE SHOTGARD® WITH CONSTRUCTION ADHESIVE.

**NOTES**

- ① METAL- OR WOOD-STUD FRAMING @ 16" O.C. (BY OTHERS)
- ② SHOTGARD® BATTEN STRIPS, 4" NOMINAL WIDTH, LOCATED AT SEAMS
- ③ FURRING STRIPS (BY OTHERS)
- ④ SHOTGARD® BULLET-RESISTANT FIBERGLASS PANEL
- ⑤ DRYWALL OR OTHER WALL FINISH (BY OTHERS)

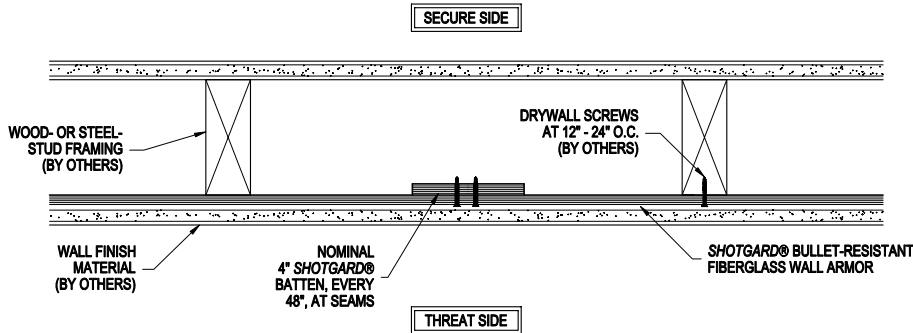


**BATTEN-ON-STUD METHOD**

ALL RIGHTS RESERVED:

THIS DRAWING IS THE PROPERTY OF NORTH AMERICAN BULLET PROOF AND SHALL NOT BE REPRODUCED IN WHOLE OR PART. IT SHALL NOT BE USED FOR CONSTRUCTION OF OTHER THAN THE SPECIFIED PROJECT WITHOUT WRITTEN PERMISSION OF NORTH AMERICAN BULLET PROOF.

COMMENTS:



**B** HORIZONTAL WALL SECTION  
SCALE: 3" = 1'-0"

**GENERAL**

SHOTGARD® IS A MULTIPLE-PLY BALLISTIC FIBERGLASS LAMINATE PRODUCED FROM BALLISTIC FIBERGLASS AND IMPREGNATED WITH A THERMOSET POLYESTER-RESIN BINDER. THE MULTIPLE-PLY CONFIGURATION PROVIDES A DELAMINATION EFFECT WHEN BALLISTICALLY ATTACKED. BULLETS ARE THEREFORE IMBEDDED WITHIN ITS PLYS RATHER THAN BEING RICOCHETED AS WITH STEEL OR ALUMINUM ARMOR.

SHOTGARD® IS A FRACTION OF THE WEIGHT OF STEEL ARMOR FOR IDENTICAL PERFORMANCE LEVELS. IT CAN BE CUT, DRILLED, AND WORKED USING CONVENTIONAL CARPENTRY TOOLS. NO REINFORCING OF TRADITIONAL STUD WALL CONSTRUCTION IS NEEDED. ATTACHMENT TO NEW WALLS IS EASY, AS IS BONDED APPLICATION TO EXISTING WALLS OR UNDER COUNTER RETROFITS.

SHOTGARD® IS COMPATIBLE WITH CONTACT OR CONSTRUCTION ADHESIVES. THIS MAKES SHOTGARD® IDEAL TO INCORPORATE WITHIN WOOD DOOR AND MILLWORK PANELS.

**CUTTING AND DRILLING**

SHOTGARD® CAN BE CUT OR DRILLED USING A CONVENTIONAL CIRCULAR SAW, SABRE SAW, AND/OR DRILL MOTOR.

**CUTTING IS TO BE DONE USING AN ABRASIVE CARBIDE-GRIT EDGE BLADE. A DIAMOND BLADE INTENDED FOR FIBERGLASS IS ALSO ACCEPTABLE. SHOTGARD® CAN BE CUT DRY. HOWEVER, DRY CUTTING DEVELOPS SIGNIFICANT DUST. USING A CIRCULAR SAW CONNECTED TO A GFCI EXTENSION CORD IS RECOMMENDED. THE SAW OPERATOR CUTS WHILE AN ASSISTANT SPRAYS WATER ON THE SAW BLADE WITH SPRAY BOTTLE TO DEVELOP A STREAM OF WATER. THIS TECHNIQUE MINIMIZES THE DUST AND DEVELOPS A NON-HAZARDOUS SLURRY.**

DRILLING CAN BE ACCOMPLISHED USING A HIGH-SPEED TWIST DRILL BIT. BITS ARE AVAILABLE UPON REQUEST.

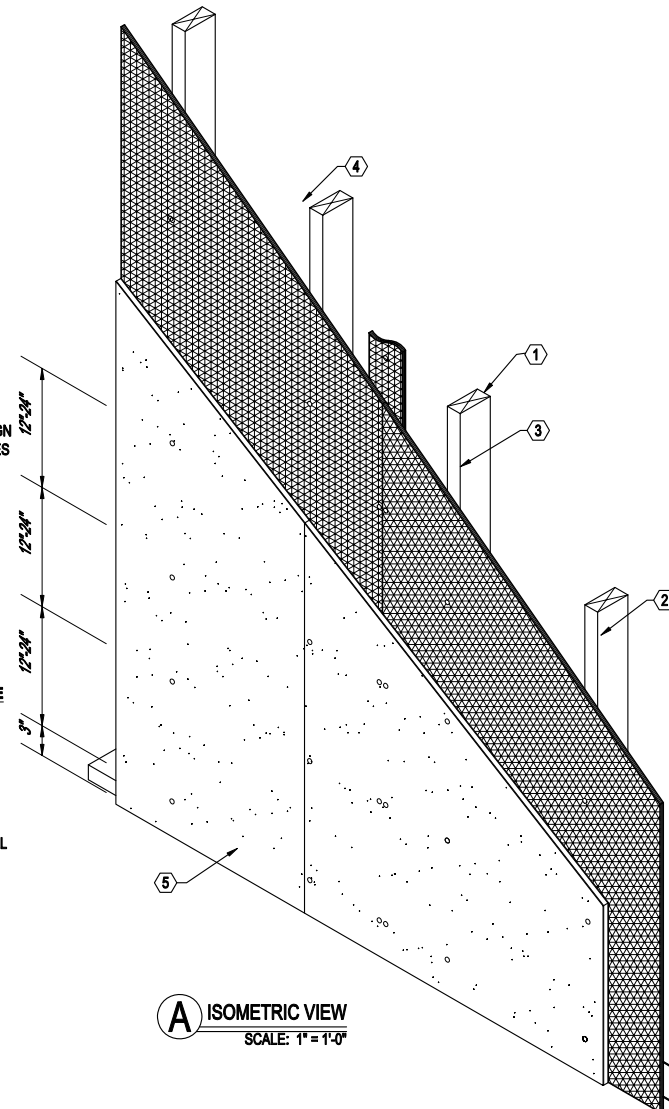
**INSTALLATION**

ALWAYS DRILL PILOT HOLES IN SHOTGARD® TO ACCOMMODATE HANGING THE MATERIAL ON STUD WALLS. NEVER SCREW DIRECTLY INTO THE FIBERGLASS AS THIS WILL CAUSE DELAMINATION AROUND THE SCREW AND VOID THE WARRANTY. THE USE OF DRYWALL SCREWS AT 12-24" O.C. IS DESIRABLE.

TO INSURE COMPLETE PROTECTION AT SEAMS, WE RECOMMEND INCORPORATING 4" (NOMINAL) BATTEN STRIPS OF SHOTGARD®. THESE BATTEN STRIPS ARE FIRST INSTALLED TO ONE SHEET, THEN FULL-SIZE SHEETS OF SHOTGARD® ARE INSTALLED OVER THE BATTENS TO CREATE A SMOOTH FINISH. DRYWALL OR OTHER WALL FINISHES CAN THEN BE BONDED OVER THE SHOTGARD® WITH CONSTRUCTION ADHESIVE.

**NOTES**

- ① METAL- OR WOOD-STUD FRAMING @ 16" O.C. (BY OTHERS)
- ② SHOTGARD® BATTEN STRIPS, 4" NOMINAL WIDTH, LOCATED AT SEAMS
- ③ SHOTGARD® BULLET-RESISTANT FIBERGLASS PANEL
- ④ DRYWALL OR OTHER WALL FINISH (BY OTHERS)



**A** ISOMETRIC VIEW  
SCALE: 1" = 1'-0"

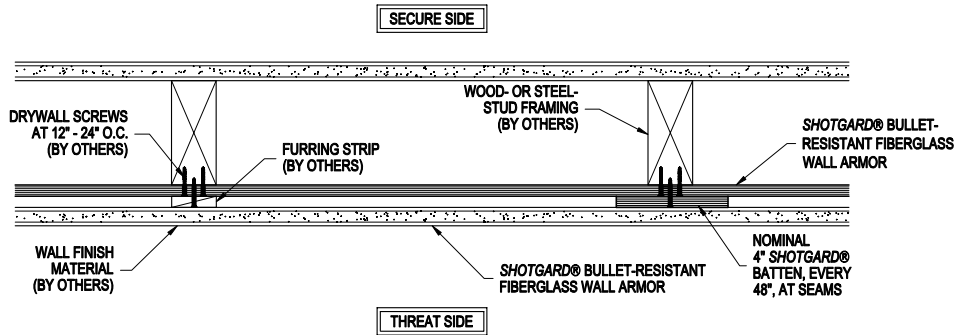
**BATTEN-OFF-STUD METHOD**

SHOTGARD

ALL RIGHTS RESERVED:

THIS DRAWING IS THE PROPERTY OF NORTH AMERICAN BULLET PROOF AND SHALL NOT BE REPRODUCED IN WHOLE OR PART. IT SHALL NOT BE USED FOR CONSTRUCTION OF OTHER THAN THE SPECIFIED PROJECT WITHOUT WRITTEN PERMISSION OF NORTH AMERICAN BULLET PROOF.

COMMENTS:



**B HORIZONTAL WALL SECTION**  
SCALE: 3" = 1'-0"

**GENERAL**

SHOTGARD® IS A MULTIPLE-PLY BALLISTIC FIBERGLASS LAMINATE PRODUCED FROM BALLISTIC FIBERGLASS AND IMPREGNATED WITH A THERMOSET POLYESTER-RESIN BINDER. THE MULTIPLE-PLY CONFIGURATION PROVIDES A DELAMINATION EFFECT WHEN BALLISTICALLY ATTACKED. BULLETS ARE THEREFORE IMBEDDED WITHIN ITS PLYS RATHER THAN RICOCHETED AS WITH STEEL OR ALUMINUM ARMOR.

SHOTGARD® IS A FRACTION OF THE WEIGHT OF STEEL ARMOR FOR IDENTICAL PERFORMANCE LEVELS. IT CAN BE CUT, DRILLED, AND WORKED USING CONVENTIONAL CARPENTRY TOOLS. NO REINFORCING OF TRADITIONAL STUD WALL CONSTRUCTION IS NEEDED. ATTACHMENT TO NEW WALLS IS EASY, AS IS BONDED APPLICATION TO EXISTING WALLS OR UNDER COUNTER RETROFITS.

SHOTGARD® IS COMPATIBLE WITH CONTACT OR CONSTRUCTION ADHESIVES. THIS MAKES SHOTGARD® IDEAL TO INCORPORATE WITHIN WOOD DOOR AND MILLWORK PANELS.

**CUTTING AND DRILLING**

SHOTGARD® CAN BE CUT OR DRILLED USING A CONVENTIONAL CIRCULAR SAW, SABRE SAW, AND/OR DRILL MOTOR.

**CUTTING IS TO BE DONE USING AN ABRASIVE CARBIDE-GRIT EDGE BLADE. A DIAMOND BLADE INTENDED FOR FIBERGLASS IS ALSO ACCEPTABLE. SHOTGARD® CAN BE CUT DRY; HOWEVER, DRY CUTTING PRODUCES SIGNIFICANT DUST. USING A CIRCULAR SAW CONNECTED TO A GFCI EXTENSION CORD IS RECOMMENDED. THE SAW OPERATOR CUTS WHILE AN ASSISTANT SPRAYS WATER ON THE SAW BLADE WITH A SPRAY BOTTLE TO DEVELOP A STREAM OF WATER. THIS TECHNIQUE MINIMIZES THE DUST AND DEVELOPS A NON-HAZARDOUS SLURRY.**

DRILLING CAN BE ACCOMPLISHED USING A HIGH-SPEED TWIST DRILL IT. BLADES ARE AVAILABLE UPON REQUEST.

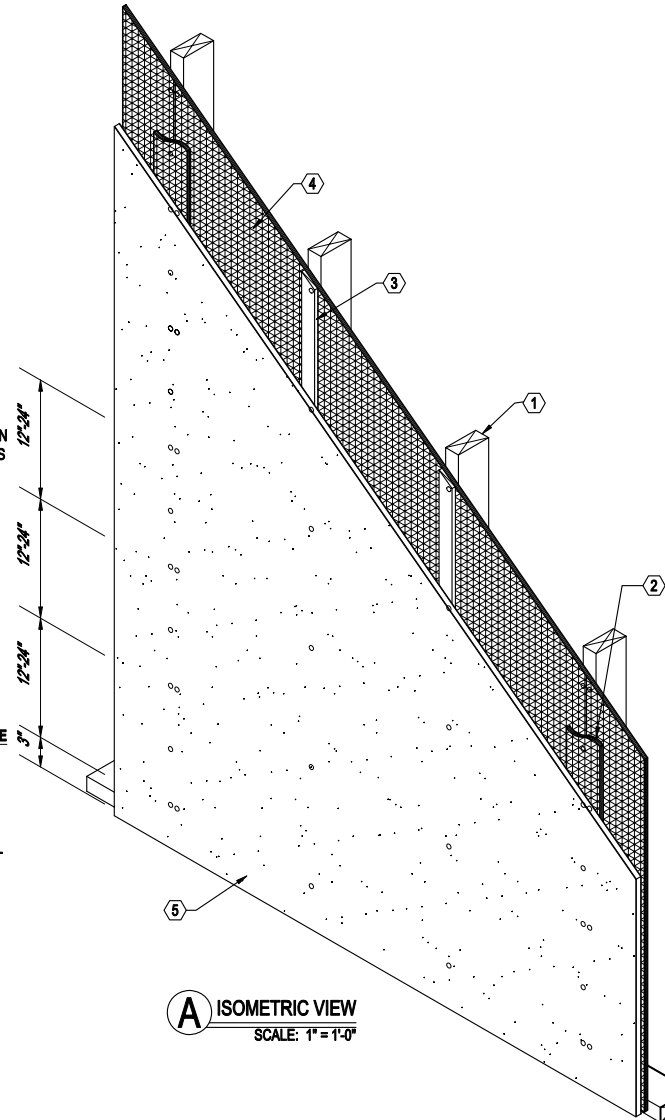
**INSTALLATION**

ALWAYS DRILL PILOT HOLES IN SHOTGARD® TO ACCOMMODATE HANGING THE MATERIAL ON STUD WALLS. NEVER SCREW DIRECTLY INTO THE FIBERGLASS AS THIS WILL CAUSE DELAMINATION AROUND THE SCREW AND VOID THE WARRANTY. THE USE OF DRYWALL SCREWS AT 12-24" O.C. IS DESIRABLE.

TO INSURE COMPLETE PROTECTION AT SEAMS, WE RECOMMEND INCORPORATING 4" (NOMINAL) BATTEN STRIPS OF SHOTGARD®. FIRST, FULL-SIZE SHEETS OF SHOTGARD® ARE INSTALLED ON THE STUDS, THEN THE BATTEN STRIPS ARE INSTALLED TO COVER THE SEAMS. DRYWALL OR OTHER WALL FINISHES CAN THEN BE INSTALLED OVER THE SHOTGARD® BATTENS.

**NOTES**

- ① METAL- OR WOOD-STUD FRAMING @ 16" O.C. (BY OTHERS)
- ② SHOTGARD® BATTEN STRIPS, 4" NOMINAL WIDTH, LOCATED AT SEAMS
- ③ FURRING STRIPS (BY OTHERS)
- ④ SHOTGARD® BULLET-RESISTANT FIBERGLASS PANEL
- ⑤ DRYWALL OR OTHER WALL FINISH (BY OTHERS)



**A ISOMETRIC VIEW**  
SCALE: 1" = 1'-0"

**BATTEN-OVER-SHOTGARD® METHOD**

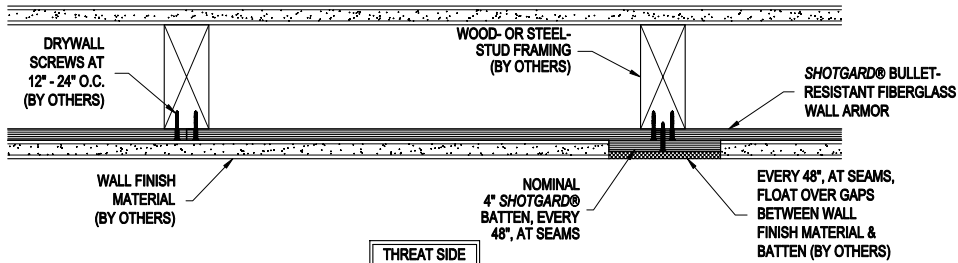
SHOTGARD

ALL RIGHTS RESERVED:

THIS DRAWING IS THE PROPERTY OF NORTH AMERICAN BULLET PROOF AND SHALL NOT BE REPRODUCED IN WHOLE OR PART. IT SHALL NOT BE USED FOR CONSTRUCTION OF OTHER THAN THE SPECIFIED PROJECT WITHOUT WRITTEN PERMISSION OF NORTH AMERICAN BULLET PROOF.

COMMENTS:

SECURE SIDE



**B** HORIZONTAL WALL SECTION  
SCALE: 3" = 1'-0"

**GENERAL**

SHOTGARD® IS A MULTIPLE-PLY BALLISTIC FIBERGLASS LAMINATE PRODUCED FROM BALLISTIC FIBERGLASS AND IMPREGNATED WITH A THERMOSET POLYESTER-RESIN BINDER. THE MULTIPLE-PLY CONFIGURATION PROVIDES A DELAMINATION EFFECT WHEN BALLISTICALLY ATTACKED. BULLETS ARE THEREFORE IMBEDDED WITHIN ITS PLYS RATHER THAN RICOCHETED AS WITH STEEL OR ALUMINUM ARMOR.

SHOTGARD® IS A FRACTION OF THE WEIGHT OF STEEL ARMOR FOR IDENTICAL PERFORMANCE LEVELS. IT CAN BE CUT, DRILLED, AND WORKED USING CONVENTIONAL CARPENTRY TOOLS. NO REINFORCING OF TRADITIONAL STUD WALL CONSTRUCTION IS NEEDED. ATTACHMENT TO NEW WALLS IS AS EASY AS IS BONDED APPLICATION TO EXISTING WALLS OR UNDER COUNTER RETROFFITS.

SHOTGARD® IS COMPATIBLE WITH CONTACT OR CONSTRUCTION ADHESIVES. THIS MAKES SHOTGARD® IDEAL TO INCORPORATE WITHIN WOOD DOOR AND MILLWORK PANELS.

**CUTTING AND DRILLING**

SHOTGARD® CAN BE CUT OR DRILLED USING A CONVENTIONAL CIRCULAR SAW, SABRE SAW, AND/OR DRILL MOTOR.

**CUTTING IS TO BE DONE USING AN ABRASIVE CARBIDE-GRIT EDGE BLADE. A DIAMOND BLADE INTENDED FOR FIBERGLASS IS ALSO ACCEPTABLE. SHOTGARD® CAN BE CUT DRY. HOWEVER, DRY CUTTING DEVELOPS SIGNIFICANT DUST. USING A CIRCULAR SAW CONNECTED TO A GFCI EXTENTION CORD IS RECOMMENDED. THE SAW OPERATOR CUTS WHILE AN ASSISTANT SPRAYS WATER ON THE SAW BLADE WITH A SPRAY BOTTLE TO DEVELOP A STREAM OF WATER. THIS TECHNIQUE MINIMIZES THE DUST AND DEVELOPS A NON-HAZARDOUS SLURRY.**

DRILLING CAN BE ACCOMPLISHED USING A HIGH-SPEED TWIST DRILL BIT. BITS ARE AVAILABLE UPON REQUEST.

**INSTALLATION**

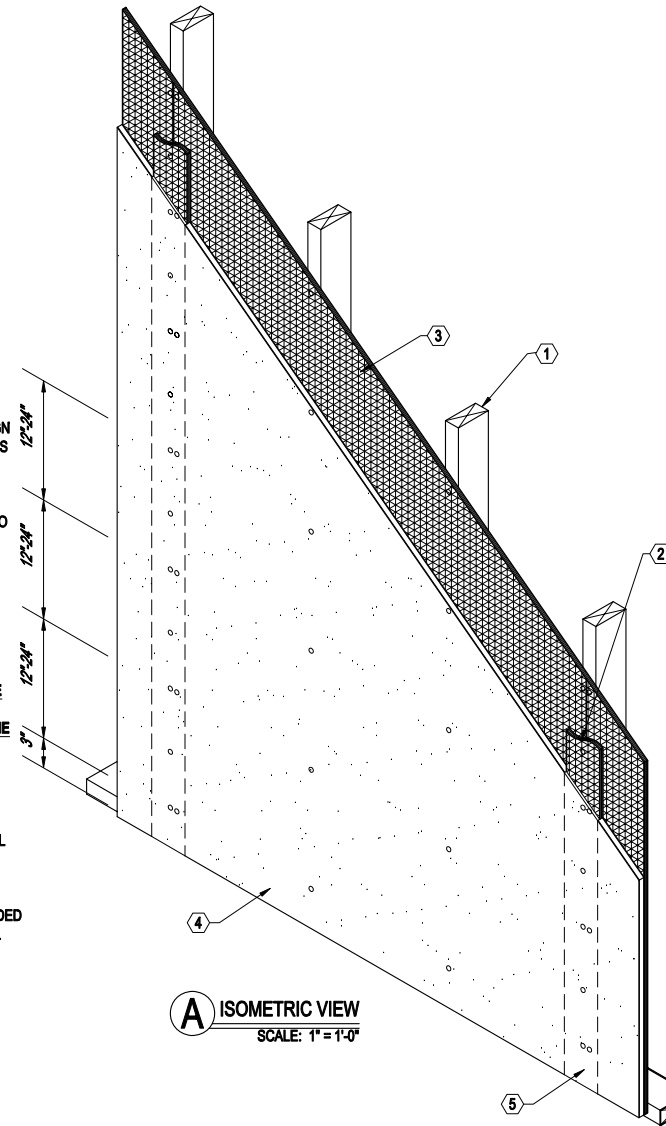
ALWAYS DRILL PILOT HOLES IN SHOTGARD® TO ACCOMMODATE HANGING THE MATERIAL ON STUD WALLS. NEVER SCREW DIRECTLY INTO THE FIBERGLASS AS THIS WILL CAUSE DELAMINATION AROUND THE SCREW AND VOID THE WARRANTY. THE USE OF DRYWALL SCREWS AT 12-24" O.C. IS DESIRABLE.

TO INSURE COMPLETE PROTECTION AT SEAMS, WE RECOMMEND INCORPORATING 4" (NOMINAL) BATTEN STRIPS OF SHOTGARD®. FIRST, FULL-SIZE SHEETS OF SHOTGARD® ARE INSTALLED ON THE STUDS, THEN THE BATTEN STRIPS ARE INSTALLED TO COVER THE SEAMS. DRYWALL OR OTHER WALL FINISHES CAN THEN BE BONDED OVER THE SHOTGARD®, BETWEEN THE BATTENS, WITH CONSTRUCTION ADHESIVE. ANY GAP CREATED BY THE DIFFERENCE IN THE THICKNESS OF THE FINISH MATERIAL AND THE BATTENS SHOULD BE FILLED TO CREATE A SMOOTH FINISH.

**NOTES**

- ① METAL- OR WOOD-STUD FRAMING @ 16" O.C. (BY OTHERS)
- ② SHOTGARD® BATTEN STRIPS, 4" NOMINAL WIDTH, LOCATED AT SEAMS
- ③ SHOTGARD® BULLET-RESISTANT FIBERGLASS PANEL
- ④ DRYWALL OR OTHER WALL FINISH (BY OTHERS)
- ⑤ GYPSUM TAPING-MUD FLOAT

**BATTEN-OVER-SHOTGARD®  
FLOATING-AT-BATTENS METHOD**



**A** ISOMETRIC VIEW  
SCALE: 1" = 1'-0"